



PREMIUM RANGE WEATHERPROOF LUMINAIRE

951-061 - CYFELCO 3 WP36 150/W-S 865

PRODUCT DATASHEET

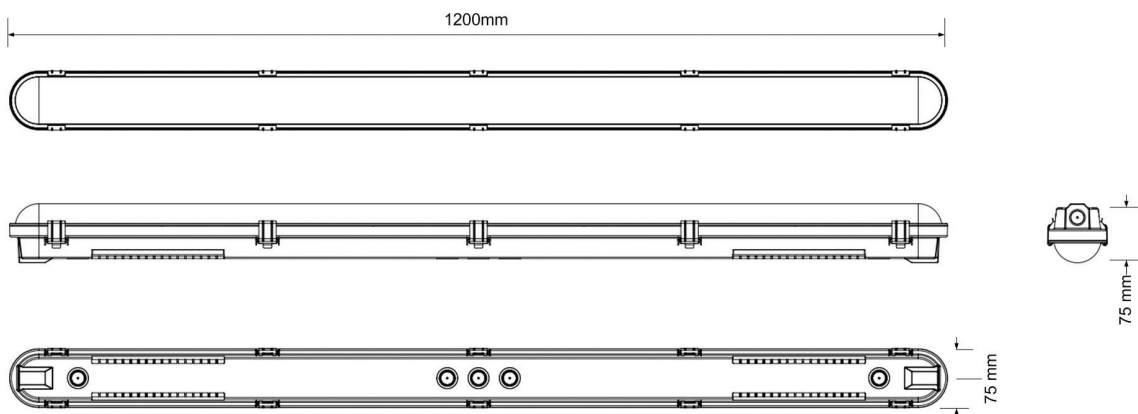
High performance Weatherproof LED Luminaires with adjustable wattage

Areas of application

- Industrial and - storage facilities
- Car parks and underpasses
- Garages, Workshops, Assembly lines, Warehouses
- General Lighting

Product Features

- Long lifetime and high efficiency: 50,000 hours with efficiency up to 150lm/W
- Lumen/Watt adjustable, 4 Levels
- Evenly distributed light
- Easy installation
- Polycarbonate Housing and Diffuser, Metal Reflector
- Lifetime (L70/B50): up to 50,000 h
- 5 Years Warranty



Agios Adrianos, 21100 Nafplio Greece / Europe
Tel. +302752 091136 | elmasco@elmasco.eu | www.elmasco.eu

LIGHT
RIGHT

TECHNICAL DATA

Operating and Electrical

Input Voltage	220-240V AC
Line Frequency	50/60 Hz
Nominal Power Consumption	20/25/30/36 W
Power Factor	>0.90
Total Harmonic Distortion	<15%
Protection Class	Class I
Driver	Power Selectable
Connection	Push in connector

Over Time Performance

Lifespan L70/B50 at 25 °C	>50000 hrs
---------------------------	------------

Application

Ambient Temperature Range	-25 to +40 °C
Ingress Protection Code	IP65
Mech. Impact Protection	IK08
Application Environment	Indoor/Outdoor
Mounting Type	Surface/Suspended
Dimmable	No (Adjustable)

Logistics

Dimensions (H x L x W)	75x1200x75 mm
Packaging Size	121x8.1x7.9 cm
Gross Weight	1.47 Kg
Net Weight	1.42 Kg

Directives

2014/30/EU	Electromagnetic Compatibility Directive
2014/35/EU	Low Voltage Directive
2011/65/EU	Restriction of Hazardous Substances Directive (RoHS)
2009/125/EU	Ecodesign Requirements for energy-related products

Standards

EN 60598-1:2015/A1:2018	Luminaires part 1 General Requirements
EN 60598-2-1:1989	Part 2: Particular requirements-Section 1 Fixed general purpose luminaires
EN IEC 55015:2019	Limits and methods of measurement of radio disturbance characteristics of electrical lighting and similar equipment
EN 62493:2015	Assessment of lighting equipment related to human exposure to electromagnetic fields
EN 61547:2009	Equipment for general lighting purposes - EMC immunity requirements
EN IEC 61000-3-2:2019	Electromagnetic compatibility (EMC) - Part 3-2: Limits - Limits for harmonic current emissions (equipment input current ≤16 A per phase)
EN 61000-3-3:2013+A1:2019	Electromagnetic compatibility (EMC) - Part 3-3: Limits - Limitation of voltage changes, voltage fluctuations and flicker in public low-voltage supply systems, for equipment with rated current ≤ 16 A per phase and not subject to conditional connection

Photometric Data

Luminous Flux	3000/3750/4500/5400 lm
Luminous Efficacy	150 lm/W
Color Temperature	6500 K (Cool Daylight)
Color Rendering Index Ra	>80
SDCM	<6
Flickering metric (Pst LM)	<1
Stroboscopic Effect (SVM)	<0.4
Photobiological safety group	RG 0
Beam Angle	100°
UGR	<32

Mechanical and Housing

Housing Material	Polycarbonate
Reflector	Metal
Diffuser	Polycarbonate
Housing Color	Grey

Packaging

Packaging	12pcs per Carton
Carton Box Gross Weight	18 Kg
Carton Box Net Weight	16 Kg

Accessories/Options

Installation	Metal brackets
Dimming (On Request)	DALI/PUSH Driver

